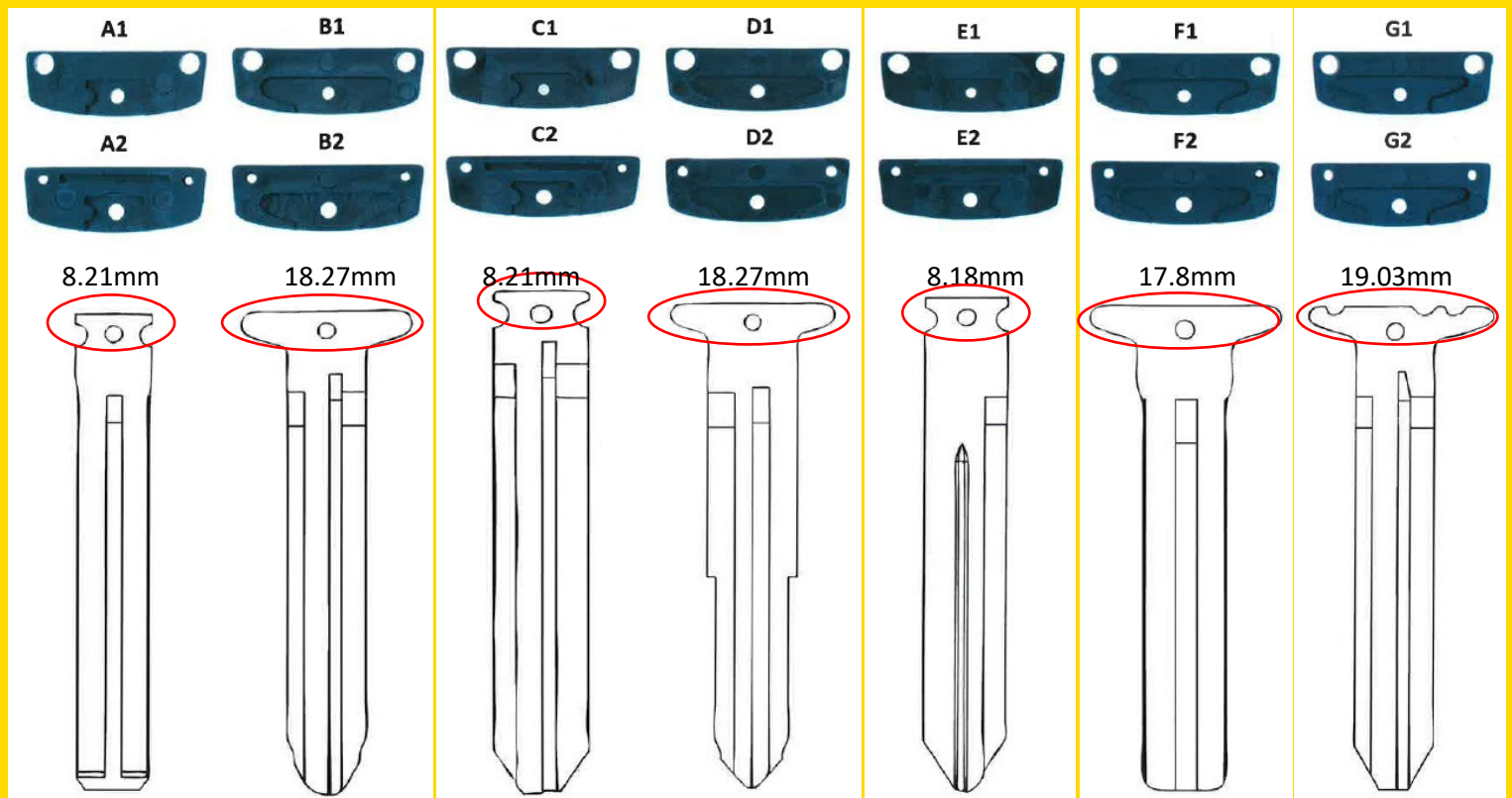


MAP

KEYS & REMOTES

Adaptable replacement Cover shell for damaged Toyota Keys

Use this replacement shell and adaptor when the original key shell breaks allowing the use of the original metal key blank (no need to go to a locksmith). This kit consists of 2 covers and 7 sets of adaptors (front and rear parts). The covers are suitable for all kinds of Toyota keys. The kit can be used on both 2 and 3 button remotes (in the later case the blocking part must be removed).



Directions: To determine which adaptor to use. Remove and measure the key head width (circled) and match your key to picture. Fit corresponding adaptor. Change over electronics from broken shell into new shell. Assemble and screw together.



Remove this block for 3 button key remotes.



WARNING! This remote control contains a button/coin cell battery. It is a lithium button/coin cell battery. If swallowed or placed inside any part of the body, a lithium battery can cause severe or fatal injuries within 2 hours or less. The battery is hazardous and should be kept out of reach of children at all times whether new or used. If you think batteries may have been swallowed or placed inside any part of the body, seek medical attention immediately or contact the Australian Poisons Information Centre on 13 11 26 or the New Zealand National Poisons Centre on 0800 764 766.